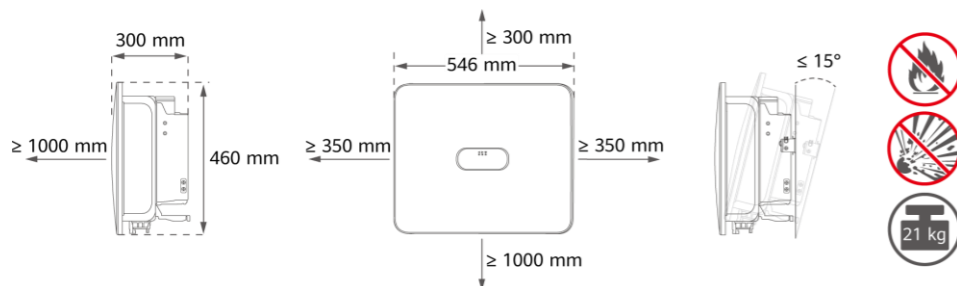


# Smart PV Three-phase Inverter

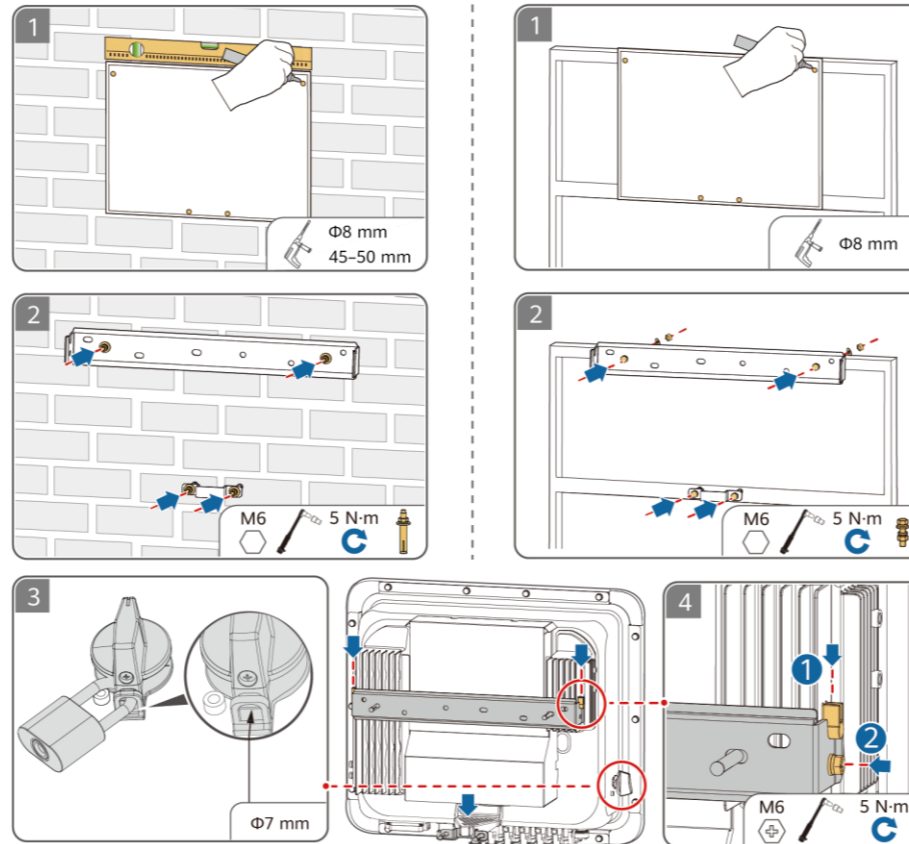
10K-25K  
Quick Guide

Before installing the equipment, read the user manual carefully to get familiar with product information and safety precautions. The product warranty does not cover equipment damage caused by failure to follow the storage, transportation, installation, and usage guidelines specified in this document and the user manual. The information in this document is subject to change without notice. Every effort has been made in the preparation of this document to ensure accuracy of the contents, but all statements, information, and recommendations in this document do not constitute a warranty of any kind, express or implied.

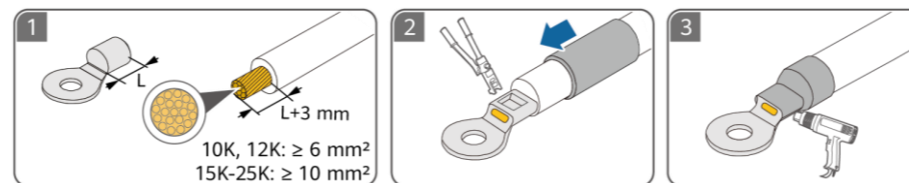
## 1 Installation Requirements



## 2 Installing the Device



## 3 Preparing a PE Cable



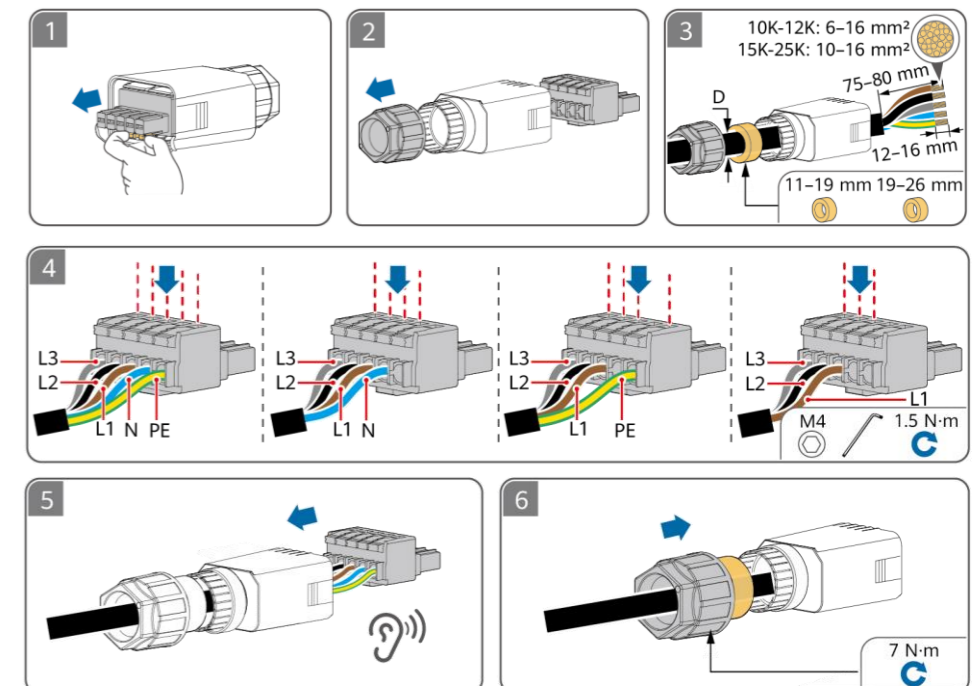
## 4 Preparing DC Cables

Use the Staubli MC4 positive and negative metal terminals and DC connectors supplied with the inverter.

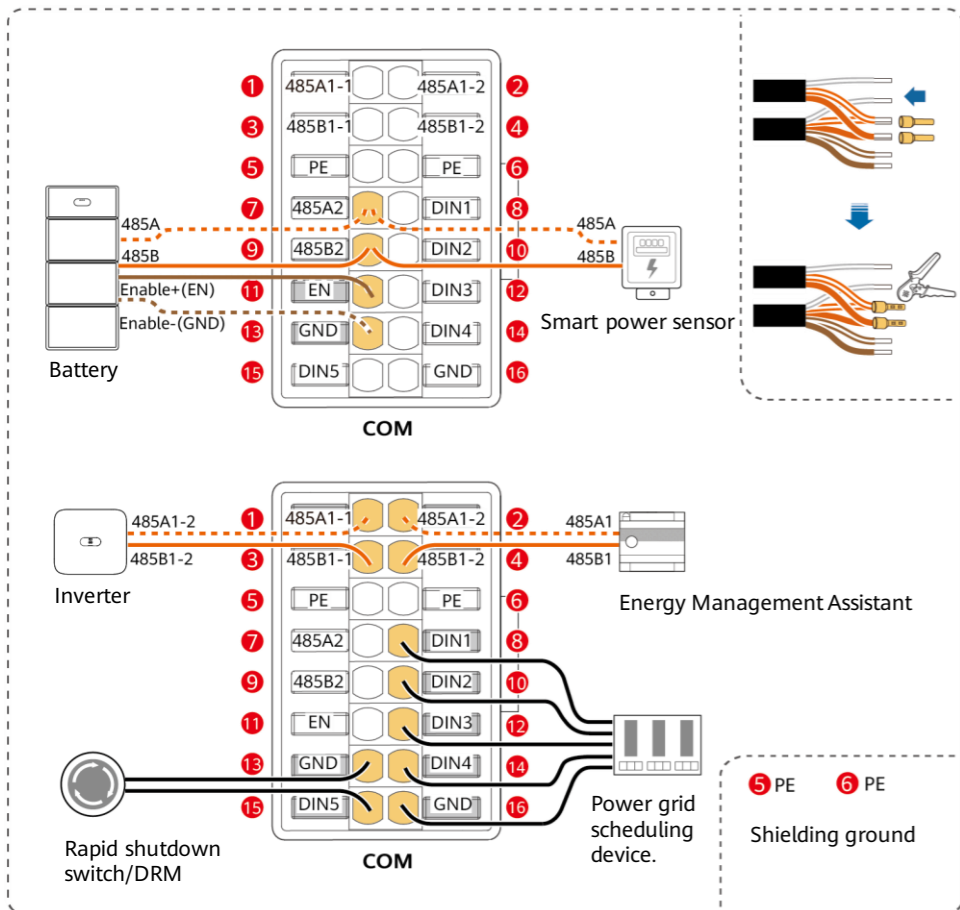
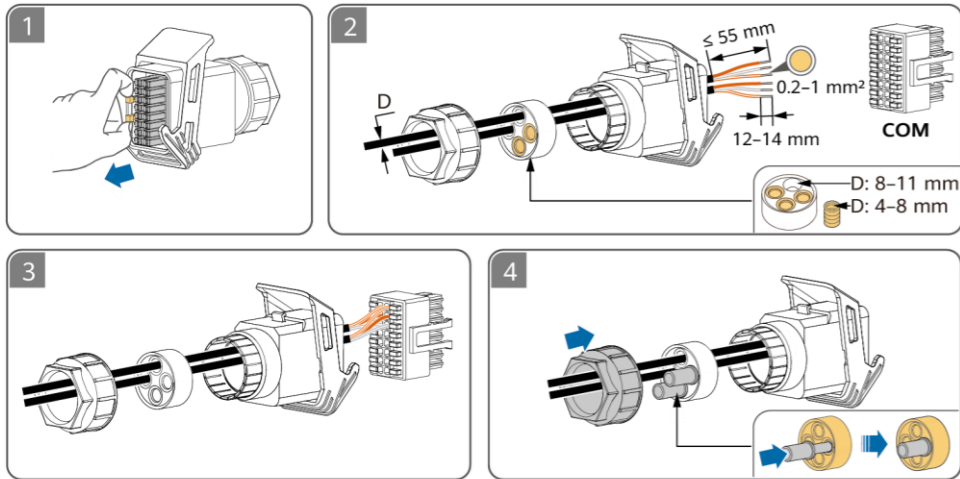
## 5 Preparing an AC Cable

- Strip the insulation layers of the AC output power cable by the recommended length (12-16 mm) to ensure that the cable conductors are completely inside the conductor insertion points and no insulation layer is pressed into the conductor insertion points. Tighten the cable conductors to a torque of 1.5 N-m. Otherwise, the device may fail to run properly or be damaged during operation.
- Do not connect loads between the inverter and the AC switch that directly connects to the inverter. Otherwise, the switch may trip by mistake.
- If an AC switch is used with specifications beyond local standards or regulations, the switch may fail to turn off in a timely manner in case of exceptions, causing serious faults.
- Each inverter must be equipped with an AC output switch. Multiple inverters cannot connect to the same AC output switch.
- To ensure that the inverter can be safely disconnected from the power grid when an exception occurs, connect an AC switch to the AC side of the inverter. Select an appropriate AC switch in accordance with local industry standards and regulations.

Component	Description	Specifications
AC switch	Recommended: three-phase AC circuit breaker	Rated voltage $\geq 415 \text{ V AC}$ Rated current: 10K-20K: 40 A 25K: 50 A or 63 A

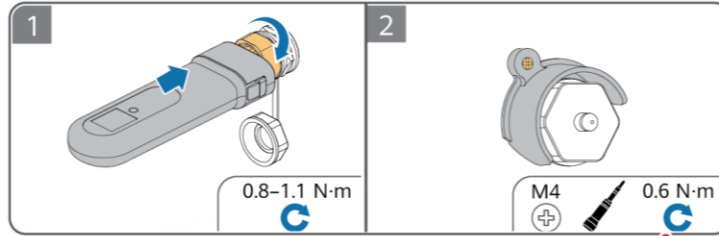


# 6 Preparing Signal Cables

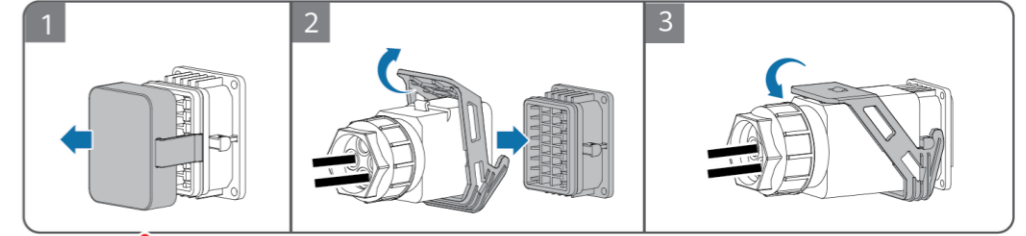


# 7 Electrical Connections

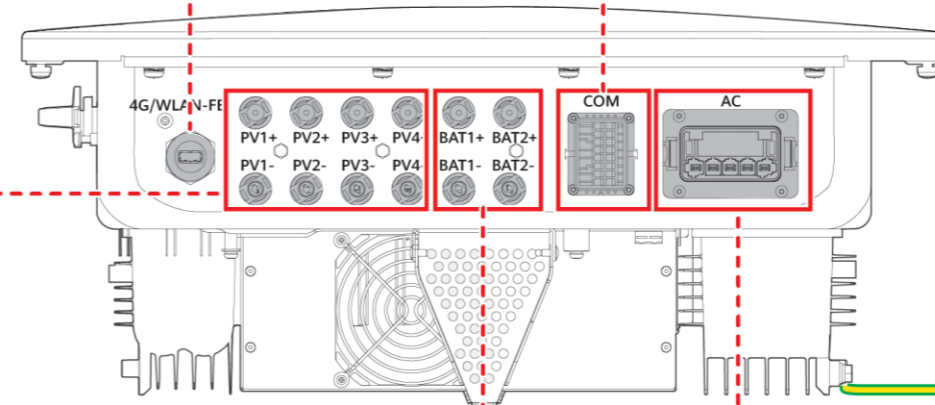
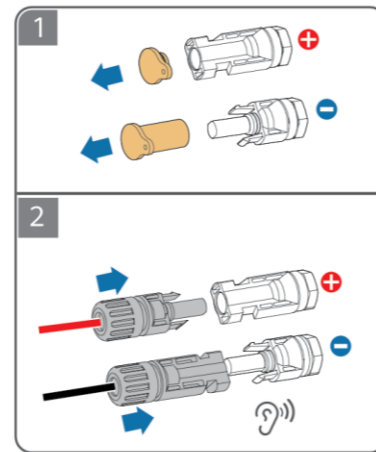
## Installing the Smart Dongle



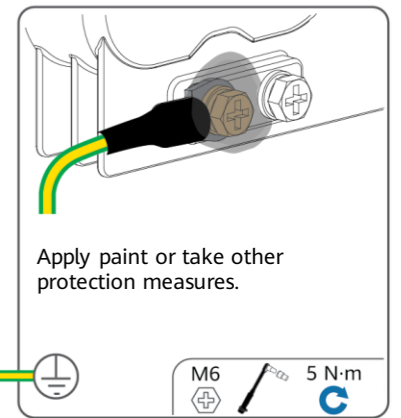
## Connecting Signal Cables



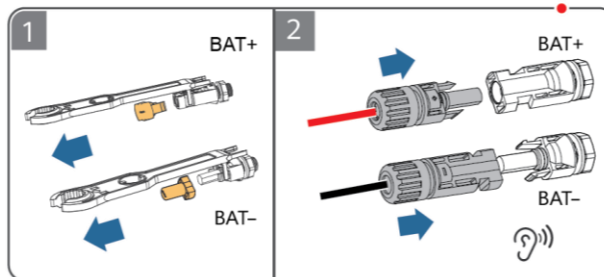
## Connecting DC Input Power Cables



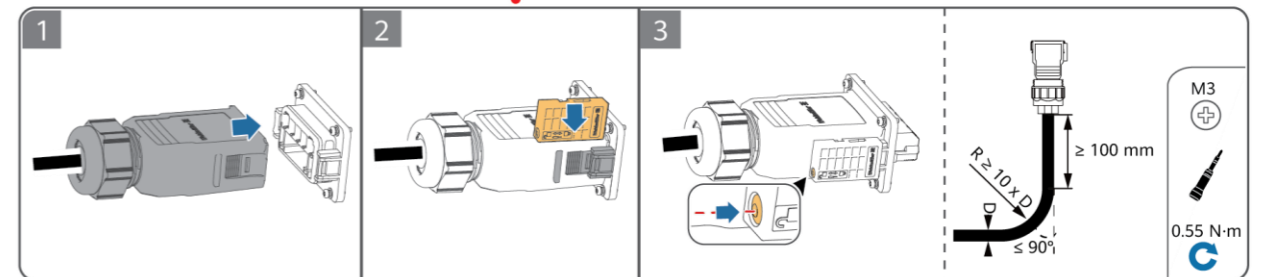
## Connecting a PE Cable



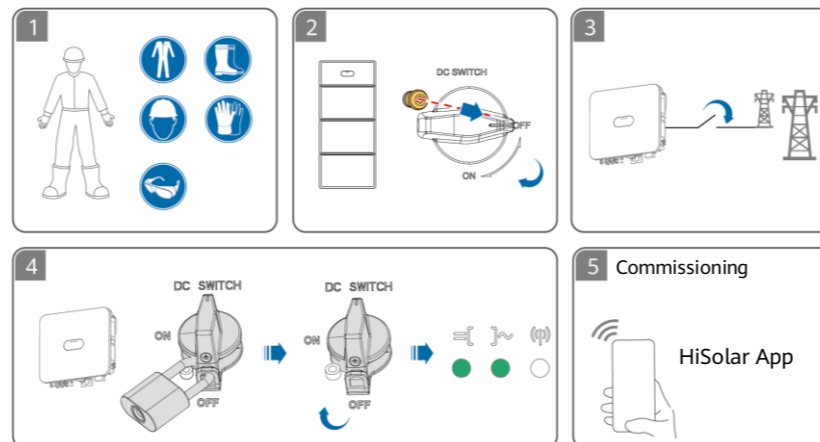
## Connecting Battery Cables



## Connecting AC Output Power Cables



# 8 Power-On and Commissioning



## Downloading the App

Search for **HiSolar** on Google Play and download the latest installation package.

## Deploying a New Plant

1. Login the APP
  - Smart Dongle Networking: Scan the QR code of the inverter.
  - Home Energy Manager Networking: Scan the QR code of the Energy Management Assistant.
2. Log in as an **Installer**. Set the login password upon the first login.
3. Set parameters as prompted on the **Quick settings** screen.