

Smart Energy Controller



Active Safety

AI Powered Active Arcing Protection



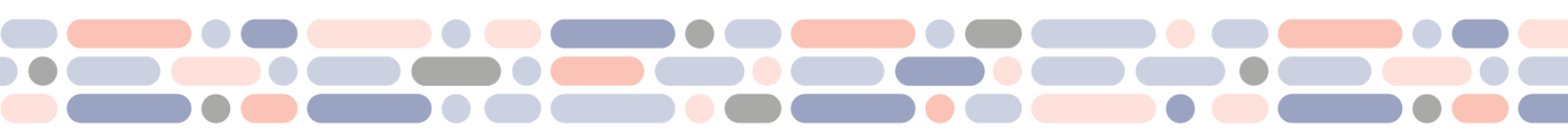
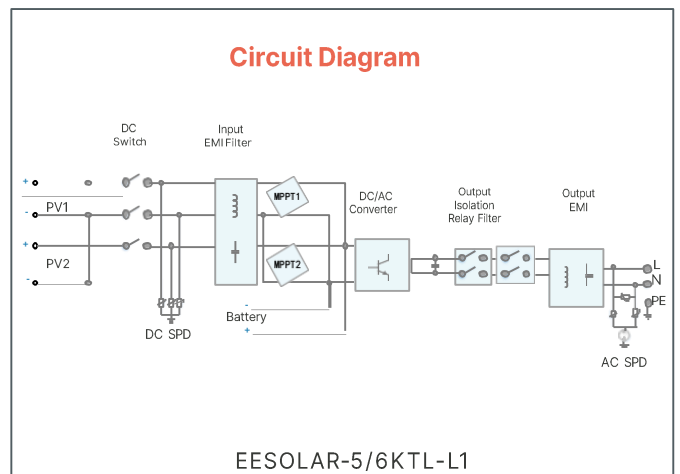
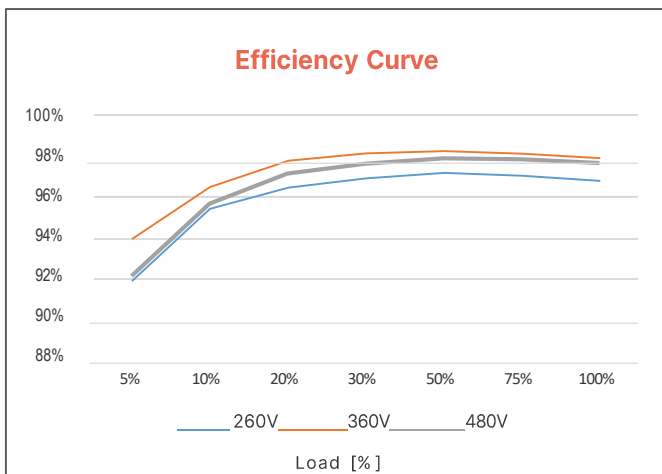
Higher Yields

Up to 30% More Energy with Optimizer



2x POWER Battery Ready

5KW AC Output Plus 5KW Battery Charge



Technical Specification	EESOLAR-5KTL-L1	EESOLAR-6KTL-L1
--------------------------------	------------------------	------------------------

Efficiency		
Max. Efficiency	98.4 %	98.4 %
European Weighted Efficiency	97.8 %	97.8 %

Input (PV)		
Recommended Max. PV Power	7,500 Wp	9,000 Wp
Max. Input Voltage	600 V	
Start-up Voltage	100 V	
MPPT Operating Voltage Range	90 V – 560 V	
Rated Input Voltage	360 V	
Max. Input Current Per MPPT	12.5 A	
Max. Short-circuit Current	18 A	
Number of MPP Trackers	2	
Max. Number of Inputs	2	

Input (DC Battery)		
Compatible Battery	EESTORE Battery System 5kWh – 30kWh	
Operating Voltage Range	350 ~ 560 V dc	
Max Operating Current	15 A	
Max Charge Power	5,000 W ¹	
Max Discharge Power	5,000 W	5,000 W

Output		
Grid Connection	Single phase	
Rated AC Active power	5,000 W	6,000 W
Rated AC Apparent Power	5,000 VA	6,000 VA
Max. Apparent Power	5,000 VA	6,000 VA
Rated Output Voltage	220 V ac / 230 V ac / 240 V ac	
Rated AC Grid Frequency	50 Hz / 60 Hz	
Max. Output Current	21.7 A	27.3 A
Adjustable Power Factor	0.8 leading ... 0.8 lagging	
Max. Total Harmonic Distortion	≤ 3 %	
Backup Power Output	Yes (via compatible Backup Box)	

Protection & Feature		
Anti-Islanding Protecting	Yes	
DC Reverse Polarity Protection	Yes	
Insulation Monitoring	Yes	
DC Surge Protection	Yes, compatible with TYPE II protection class according to EN/IEC 61643 -11	
AC Surge Protection	Yes, compatible with TYPE II protection class according to EN/IEC 61643 -11	
Residual Current Monitoring	Yes	
AC Overcurrent Protection	Yes	
AC Short-circuit Protection	Yes	
AC Overvoltage Protection	Yes	
Over-heat Protection	Yes	
Arc Fault Protection	Yes	
Battery Reverse Charging From Grid	Yes	

General Data		
Operating Temperature Range	-25 ~ +60 °C (Derating above 45 °C @ Rated output power)	
Relative Operating Humidity	0 % RH ~100 % RH	
Operating Altitude	0 ~ 4,000 m (Derating above 2,000 m)	
Cooling	Natural convection	
Display	LED indicators; integrated WLAN + APP	
Communication	RS485, WLAN via inverter built-in WLAN module Ethernet via EEDongleA-05 (Optional);	
Weight (incl. Mounting Bracket)	12.0 kg (26.5 lb)	
Dimension (incl. Mounting Dimension and Mounting Bracket)	365mm * 365mm * 156mm (14.4 x 14.4 x 6.1 inch)	
Degree of Protection	IP 65	
Country of Manufacture	China	

Optimizer Compatibility	
Compatible Optimizer	SUN2000-600W-P/SUN2000-450-P2 ²

Standard Compliance (more available upon request)	
Safety	RCM, IEC 62109 -1, IEC 62109 -2, AS/NZS 60947.3:2015
Grid Connection Standards	AS/NZS 4777.2:2020, AS/NZS 4777.2:2015

¹ 2,500W @ 5kWh EESTORE Battery System.
² Please consult the suppliers for the specifications of the optimizer pairing.

